

# ITAROLL

---

## TUBULAR MOTOR FOR SHUTTERS AND AWNINGS

CE

Quick guide included  
Guida rapida inclusa  
Guide rapide inclus  
Guía rápida incluida

---

**EN**  
Instructions and warnings  
for installation and use

**IT**  
Istruzioni ed avvertenze  
per l'installazione e l'uso

**FR**  
Instructions et avertissements  
pour l'installation  
et l'utilisation

**ES**  
Instrucciones y advertencias  
para la instalación y el uso

# ITAROLL

**TYPE: Ø 45 / Ø 58**

EN - Quick guide

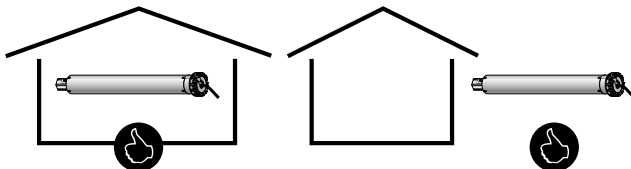
IT - Guida rapida

FR - Guide rapide

ES - Guía rápida

CE

IT	Per installare il motore e gli accessori previsti fare riferimento al manuale completo presente nel sito <a href="http://www.acm.it">www.acm.it</a>
EN	To install the motor and relevant accessories, refer to the complete manual available on the website <a href="http://www.acm.it">www.acm.it</a>
FR	Pour installer le moteur et les accessoires prévus en se référant au manuel complet présent sur le site <a href="http://www.acm.it">www.acm.it</a>
ES	Para instalar el motor y los accesorios previstos consultar el manual completo contenido en el sitio <a href="http://www.acm.it">www.acm.it</a>

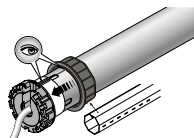


1

A

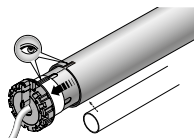


B



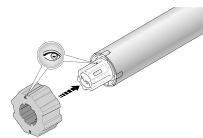
ITAROLL Ø 45 / Ø 58

C



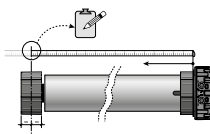
ITAROLL Ø 45 / Ø 58

D



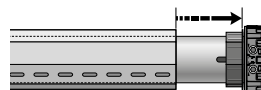
ITAROLL Ø 45 / Ø 58

E



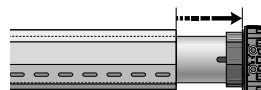
ITAROLL Ø 45 / Ø 58

F



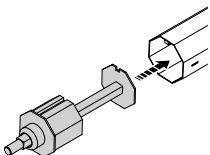
ITAROLL Ø 45 / Ø 58

G

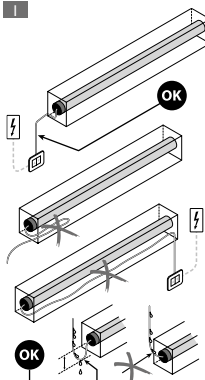


ITAROLL Ø 45 / Ø 58

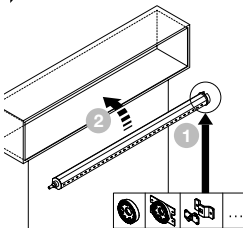
H



I

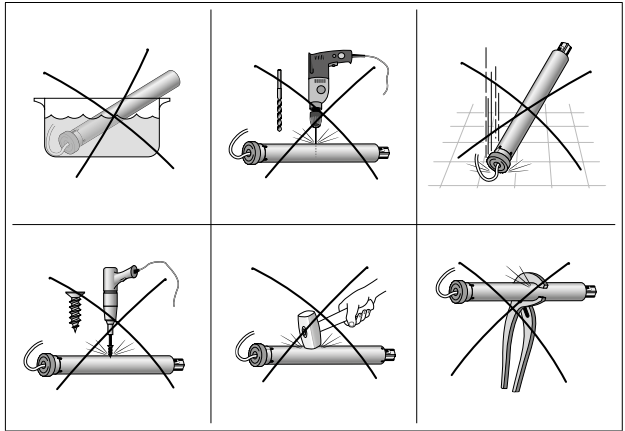


L



ITAROLL Ø 45 / Ø 58

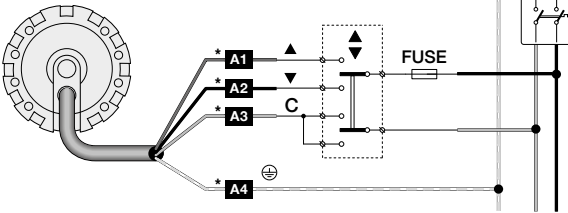
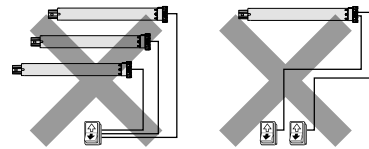
IT	Questo manuale è una sintesi delle fasi d'installazione e della messa in funzione con i valori di default: il manuale istruzioni completo (installazione, collegamenti, programmazioni parametri, diagnostica, ecc.) è scaricabile dal sito <a href="http://www.acm.it">www.acm.it</a>
EN	This manual is a summary of the installation and commissioning instructions, using the default values: the complete user manual (installation, connections, programming, diagnostics, etc.) is available for download from <a href="http://www.acm.it">www.acm.it</a>
FR	Ce manuel est un résumé des phases d'installation et de mise en service avec les valeurs par défaut : le mode d'emploi complet (installation, raccordements, programmation des paramètres, diagnostic, etc.) peut être téléchargé sur le site Internet <a href="http://www.acm.it">www.acm.it</a>
ES	Este manual es una síntesis de las fases de instalación y de la puesta en funcionamiento con los valores predeterminados: el manual de instrucciones completo (instalación, conexiones, programación de parámetros, diagnóstico, etc.) se puede descargar del sitio <a href="http://www.acm.it">www.acm.it</a>



SERIAL NUMBER: ..... DATE: .....

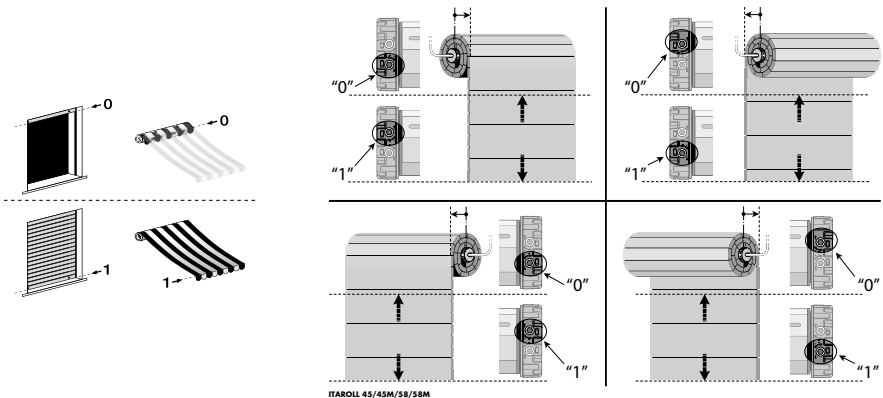
• IT - Da consegnare all'utilizzatore • EN - To be given to the user • FR - À remettre à l'utilisateur • ES - Para entregar al usuario

**2** • IT - COLLEGAMENTI PER LE OPERAZIONI DI INSTALLAZIONE E REGOLAZIONE • EN - CONNECTIONS FOR INSTALLATION AND ADJUSTMENT OPERATIONS  
• FR - CONNEXIONS POUR LES OPÉRATIONS D'INSTALLATION ET DE RÉGLAGE • ES - CONEXIONES PARA OPERACIONES DE INSTALACIÓN Y AJUSTE



*	IT	EN	FR	ES
A1	Marrone	Brown	Marron	Marrón
A2	Nero	Black	Noir	Negro
A3	Blu	Blue	Bleu	Azul
A4	Giallo-verde	Yellow-green	Jaune-vert	Amarillo-verde

**3** • IT - REGOLAZIONE FINECORSA • EN - ADJUSTING THE LIMIT SWITCHES • FR - RÉGLAGE DES FIN DE COURSE • ES - CÓMO REGULAR EL FIN DE CARRERA



# ITAROLL

MADE IN ITALY



**TUBULAR MOTOR  
FOR SHUTTERS  
AND AWNINGS**

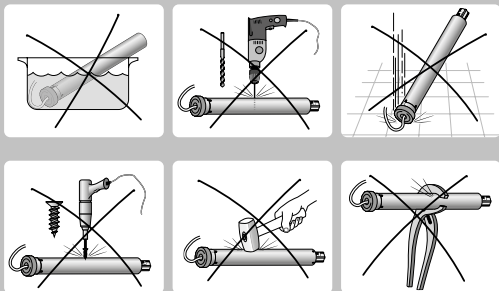
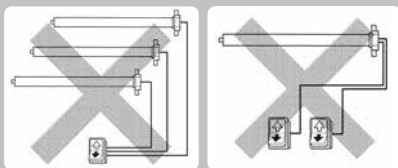
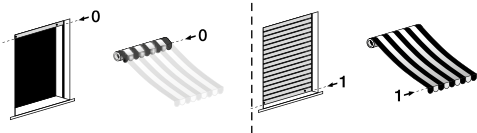
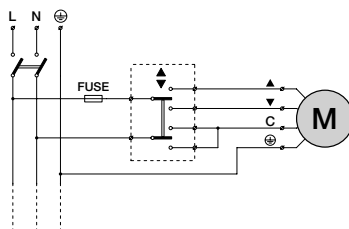
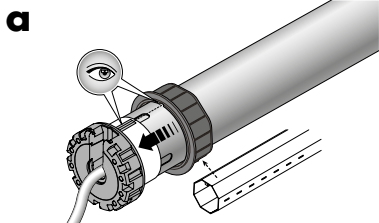


**EN**  
Instructions and warnings  
for installation and use

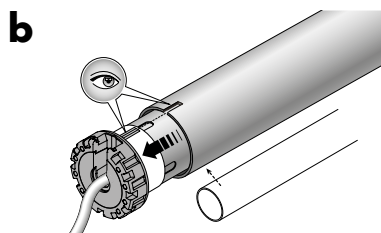
**FR**  
Instructions et avertissements  
pour l'installation et l'utilisation

**IT**  
Istruzioni ed avvertenze  
per l'installazione e l'uso

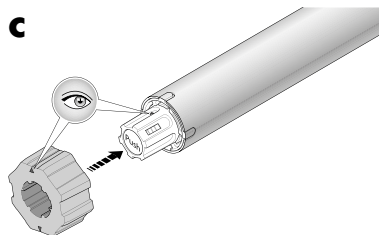
**ES**  
Instrucciones y advertencias  
para la instalación y el uso

**1****2****3****4****5**

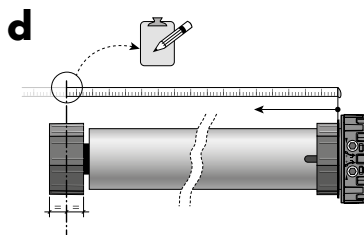
ITAROLL  $\varnothing 45/\varnothing 45M/\varnothing 58/\varnothing 58M$



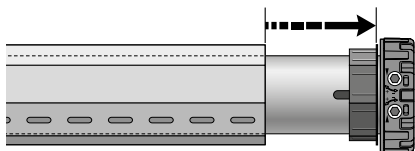
ITAROLL  $\varnothing 45/\varnothing 45M/\varnothing 58/\varnothing 58M$



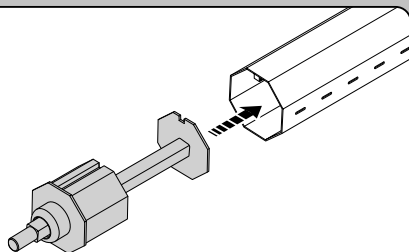
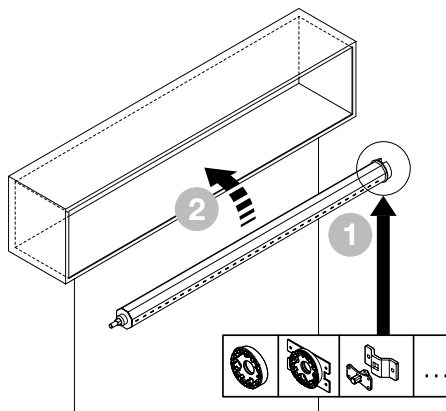
ITAROLL  $\varnothing 45/\varnothing 45M/\varnothing 58/\varnothing 58M$



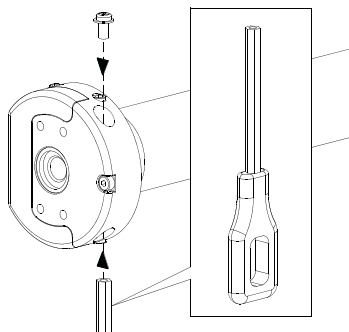
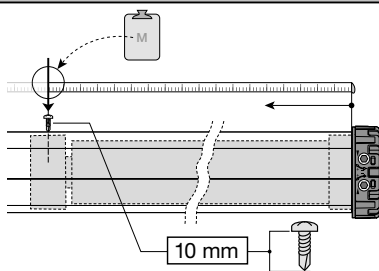
ITAROLL  $\varnothing 45/\varnothing 45M/\varnothing 58/\varnothing 58M$

**e**

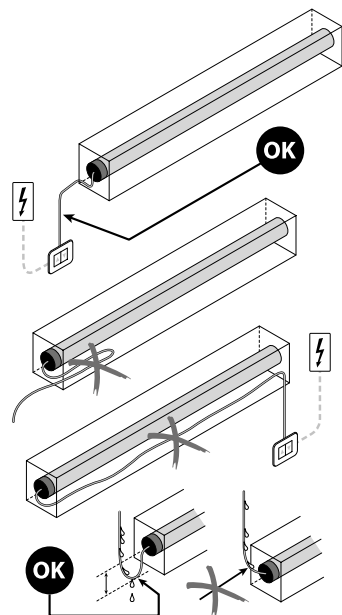
ITAROLL  $\varnothing$  45/ $\varnothing$ 45M/ $\varnothing$ 58/ $\varnothing$ 58M

**g****h**

ITAROLL  $\varnothing$  45/ $\varnothing$ 45M/ $\varnothing$ 58/ $\varnothing$ 58M

**f**

ITAROLL  $\varnothing$ 45M/ $\varnothing$ 58M

**i**

## 1 SAFETY WARNINGS AND PRECAUTIONS

### 1.1 • Safety warnings

- **PLEASE NOTE!** – It is important to observe the following instructions for personal safety. Incorrect installation could lead to serious injury. Therefore, it is important to read all sections of the manual prior to starting work and, in case of doubts, ask the installer/manufacturer for explanations.
- **CAUTION!** – Important safety instructions; save these instructions for future use. Keep this manual in a safe place to enable future product maintenance and disposal procedures.

### 1.2 • Installation warnings

- **All product installation, connection, programming and maintenance operations must be performed exclusively by a qualified and skilled technician, in observance of laws, standards and local regulations and the instructions in this manual.**
  - Before installation, ensure that this specific product is suitable for the automation of your shutter (see chapter 3).
  - All product installation and maintenance operations must be performed with the automation disconnected from the power mains. As a precaution, affix a notice with the text "WARNING: MAINTENANCE IN PROGRESS" on the disconnect device.
  - Before starting installation procedures, move away all electric cables not involved in the work and deactivate all mechanisms not required for motor-driven operation of the shutter.
  - If the product is installed at a height of less than 2.5 m from the floor or other support surface, the moving parts must be protected with a suitable covering, to avoid inadvertent access. For protection, refer to the instruction manual of the shutter, ensuring that future access for maintenance purposes is guaranteed.
  - On sun awnings, a minimum horizontal distance of 40 cm must be guaranteed between the awning completely open and any fixed object positioned in front.
  - During installation, handle the product with care, avoiding the risk of crushing, impact, dropping or contact with any type of liquid, do not insert sharp objects in the motor, do not drill or insert screws on the motor exterior and do not place the product in the vicinity of heat sources or naked flames (**fig. 1**).
- Such actions may damage the product and cause malfunctions or hazards. In such cases, immediately suspend installation and contact the installer/manufacturer.
- Do not disassemble the product in excess of the operations envisaged in this manual.

- Never make any modifications to part of the product other than those specified in this manual. Operations other than as specified can only cause malfunctions. The manufacturer declines all liability for damage caused by makeshift modifications to the product.
- The product power cable is in PVC; this makes it suitable for installation exclusively indoors. If installed outdoors, the cable must be covered with a protection ducting.
- During system set-up, keep all persons far from the shutter when moving.
- To control the product, use exclusively hold-to-run type pushbuttons, i.e. which must remain pressed for the entire manoeuvre.
- The product packaging material must be disposed of in full observance of current local legislation governing waste disposal.

### 1.3 • Operation warnings

- Do not allow children to play with fixed control devices.
- Take care in the vicinity of the shutter / awning / screen when moving, and keep at a safe distance until the manoeuvre is completed.
- Frequently check the automation, to detect for imbalance, any signs of wear or damage to cables or springs (if present). Do not use the automation if adjustments or repairs are required. In this case always contact a specialised technician to solve the problem.

## 2 PRODUCT DESCRIPTION AND INTENDED USE

This product is a tubular motor designed for the automation of a shutter, sun awning or solar screen. **Any other use is strictly prohibited! The manufacturer declines all liability for damage resulting from improper use of the product and other than as specified in this manual.**

The product has the following features:

- is powered by the mains electricity (verify compatibility on the label attached to the motor);
- designed to move the shutter in Ascent and Descent by means of wall-mounted pushbuttons (not supplied in pack);
- is equipped with an electromechanical system that automatically shuts off power supply when the shutter reaches the set limit positions (**fig. 3**): position "0" (shutter totally retracted) and position "1" (shutter totally extended);
- the entire tubular motor is installed inside the shutter roller and the external face of this product can be mounted directly alongside the casing or by means of the relative support brackets (not supplied in pack);
- it is designed for residential use, i.e. discontinuous. It guarantees a continuous operating time of maximum 4 minutes;
- it is fitted with a thermal cut-out which in the event of overheating due to use of the automation in excess of the set limits, automatically shuts off the power supply and only restores operation when the temperature returns within the normal range.



## 3 PRODUCT INSTALLATION

### 3.1 • Preliminary checks – Application limits

**Caution! – Before proceeding with installation, verify the following.**

- There are various versions of this product available, each designed to manage a specific motor torque. Each is designed to automate shutters / awnings / screens with specific dimensions and weight. Therefore, before proceeding with installation, to check that the characteristics of this motor (motor torque, rotation speed and operating time) are suitable for automating your shutter / awning / screen. **Caution! - Never install a motor with a greater motor torque than that required to move your shutter / awning / screen.**

Check the diameter of the winding roller. This must be chosen according to the motor torque, as follows:

- for motors that are size ( $\varnothing = 45$  mm) and have a torque of up to 30 Nm (included), the minimum inside diameter of the winding roller must be 52 mm;
- for motors that are size ( $\varnothing = 45$  mm) and have a torque of up to 30 Nm (included), the minimum inside diameter of the winding roller must be 60 mm.
- for motors that are size ( $\varnothing = 58$  mm), the minimum inside diameter of the winding roller must be 70 mm.

### 3.2 • Tubular motor installation

To install the product, follow the phases shown in **fig. 5** and observe the following **warnings**:

- Incorrect installation can lead to serious injury.

## 4 ELECTRICAL CONNECTIONS

### 4.1 • Installing safety devices in the electrical mains

In compliance with the electric installation rules, in the network that powers the motor, a short circuit protection device and a disconnection device from the mains electricity must be envisioned.

**Attention! – The disconnection device must allow the complete disconnection of the power supply, in the conditions established by the over-voltage category III.**

The disconnection device must be located in view of the automation and, if it is not visible, must envision a system that blocks any accidental or unauthorised re-connection of the

power supply, in order to prevent any danger.

**Note – The two devices are not present in the package.**

### 4.2 • Installation of the pushbutton strip

**Recommendations:**

- Position the push button control panel in view of the winding device but away from its moving parts.
- Position the push button control panel on the side of the winding device, where there is the electric cable coming from the tubular motor and the mains electricity power supply cable.
- Position the buttons at a height over 1.5 m from the floor.

### 4.3 • Connecting the motor to a control pushbutton panel and the electrical mains

**Attention!**

- Incorrect connection can cause faults or dangerous situations, therefore scrupulously respect the instructions given in this paragraph.

From an electrical perspective, the motor must be permanently powered by means of a permanent connection to the mains electricity (verify compatibility on the label attached to the motor). To connect the motor to a push-button control panel and the mains electricity, refer to **fig. 4**. The connection cable wires have the following function:

- **Brown** = electric ascent or descent phase.
- **Black** = electric ascent or descent phase.
- **Blue** = Common (normally connected to the Neutral).
- **Yellow-Green** = Ground (protective electrical bonding).

### 4.4 • Associating the Up and Down movements with the respective pushbuttons

On completion of connections, power up the motor and check whether the Up and Down movements are associated correctly with the relative control pushbuttons. If this is not the case, invert the connection between the **Brown** and **Black** wires.

# 5

## LIMIT SWITCH ADJUSTMENT

### 5.1 • Limit positions on opening and closing

During the up and down movements, the motor stops the shutter automatically when it reaches the limit switch positions (fig. 3): position "0" (shutter totally retracted) and position "1" (shutter totally extended). The factory settings of these positions are very approximate, and therefore follow the procedure below to adapt them to the specific dimensions of the roller shutter concerned.

### 5.2 • Adjusting first limit position "0" and then limit position "1"

01. Move the shutter to position "1".

**Align the adjustment screws with the respective limit positions:**

02. Stand in front of the shutter and note the following:
- the location on the roller of the limit position adjustment screws: right or left?
  - if the extended section of the shutter is in front of or behind the roller.

03. Then refer to fig. 6 and check which diagrams correspond to the situations a) and b) noted on your installation. **Very important – The identified diagram assigns a specific limit position to be set on each adjustment screw.**

**Setting limit position "0":**

04. Activate the shutter so that it moves towards position "0" and wait for the motor to stop on activation of the limit switch pre-set with the factory settings.

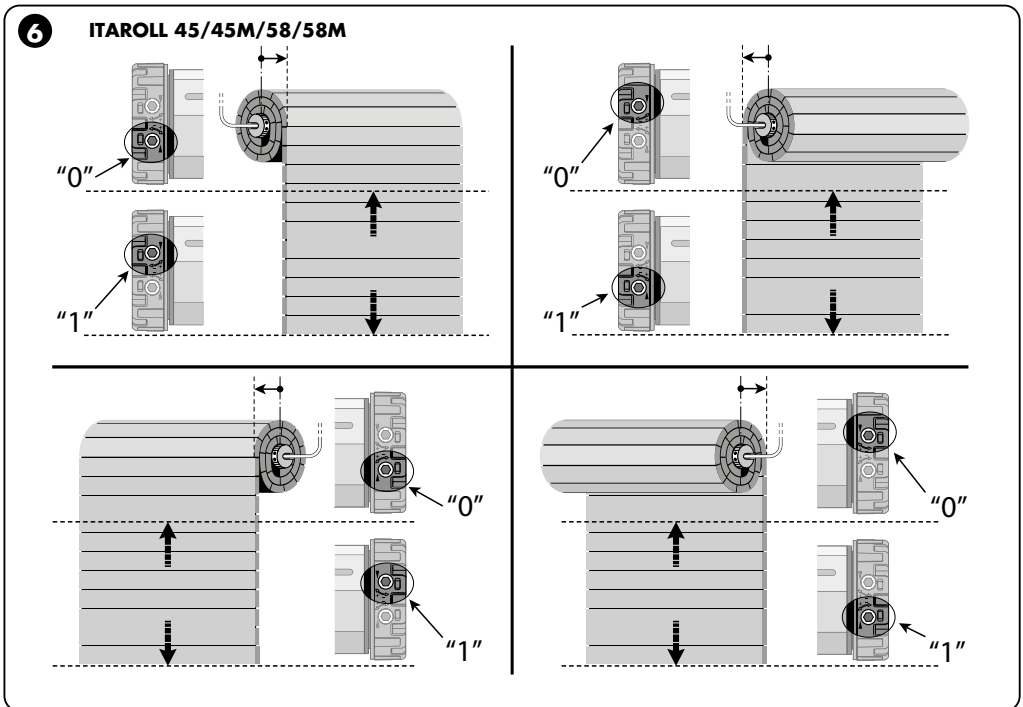
**Caution!** – If the shutter moves beyond the point at which limit switch "0" is to be fixed, stop movement and then activate the shutter to move it back to the starting position; then turn the adjustment screw of limit position "0" through a few turns in the direction of the "–" sign and repeat the procedure from point 04.

05. Gradually turn the adjustment screw of limit position "0" in the direction of the "+" sign, to the required stop position "0". **Note** – on each turn of the screw, the motor moves to stop in the new position.

**Setting limit position "1":**

06. Turn the adjustment screw of limit position "1" through a few turns in the direction of the "–" sign.

07. Activate the shutter so that it moves towards position "1" and wait for the motor to stop on activation of the limit switch pre-set with the factory settings.



**Caution!** – If the shutter moves beyond the point at which limit switch “1” is to be fixed, stop movement and then activate the shutter to move it back to the starting position; then turn the adjustment screw of limit position “1” through a few turns in the direction of the “-” sign and repeat the procedure from point 07.

08. Gradually turn the adjustment screw of limit position “1” in the direction of the “+” sign, to the required stop position “1”. **Note – on each turn of the screw, the motor moves to stop in the new position.**

## 6 PRODUCT DISPOSAL

**This product is an integral part of the automation and therefore must be disposed together with the latter.**

As in installation, also at the end of product lifetime, the disassembly and scrapping operations must be performed by qualified personnel.

This product comprises various types of materials: some may be recycled others must be disposed of. Seek information on the recycling and disposal systems envisaged by the local regulations in your area for this product category.

**Caution!** – some parts of the product may contain pollutant or hazardous substances which, if disposed of into the environment, may cause serious damage to the environment or physical health.

As indicated by the symbol alongside, disposal of this product in domestic waste is strictly prohibited. Separate the waste into categories for disposal, according to the methods envisaged by current legislation in your area, or return the product to the retailer when purchasing a new version.

**Caution!** – Local legislation may envisage serious fines in the event of abusive disposal of this product.

## 7 WHAT TO DO IF... (troubleshooting guide)

**The motor does not move even if powered in an Ascent or Descent phase:**

- 1) check whether a thermal cut-out has tripped: In this case wait for the motor to cool;
- 2) check that the mains power is ON and that it corresponds to the values on the motor dataplate.
- 3) check whether the two limit switches, due to incorrect settings, engage at the same time; in this case rotate the two adjustment screws through a few turns, in the direction of the “+” sign.

If – after these checks – the motor does not move, contact a qualified technician or the installer/manufacturer.

## 8 TECHNICAL SPECIFICATIONS

• **Power supply voltage and frequency; current and power; torque and speed:** Refer to the technical data on the dataplate of each model. • **Motor diameter:** ITAROLL  $\varnothing$  45 mm;  $\varnothing$ 58 mm. • **Nominal operating time:** Maximum 4 minutes. • **Protection rating:** IP 44 (tubular motor). • **Operating temperature:** -20°C (minimum). • **Connection cable length:** 2,5 m.

### Notes:

- All technical specifications stated in this section refer to an ambient temperature of 20°C ( $\pm$  5°C).
- The producer reserves the right to apply modifications to the product at any time when deemed necessary, maintaining the same intended use and functionality.

## 9 MANUFACTURER AND PRODUCT CODES

**Name of manufacturer:** ACM INTERNATIONAL SRL

**Address:** Via Oros n°2/g  
00071 Pomezia (RM) Italy

**Product type:** Tubular motor for screen and sun shutters.

**Model/Type:**  
ITAROLL  $\varnothing$ 45  
**10 / 18 / 30 / 40 / 50**  
ITAROLL  $\varnothing$  45 M  
**18M / 30M / 50M**  
ITAROLL  $\varnothing$  58  
**80 / 100 / 120**  
ITAROLL  $\varnothing$  58M  
**80M / 100M / 120M**

### AVVERTENZE E PRECAUZIONI PER LA SICUREZZA

#### 1.1 • Avvertenze per la sicurezza

**ATTENZIONE! – Per la sicurezza delle persone è importante rispettare queste istruzioni.**

Un'installazione errata può causare gravi ferite alle persone. Pertanto, prima di iniziare il lavoro è necessario leggere attentamente tutte le parti del manuale e, in caso di dubbi, chiedere chiarimenti all'installatore/produttore.

**ATTENZIONE! – Istruzioni importanti per la sicurezza; conservare queste istruzioni.**

Conservare questo manuale per eventuali interventi futuri di manutenzione e di smaltimento del prodotto.

#### 1.2 • Avvertenze per l'installazione

**Tutte le operazioni di installazione, di collegamento, di programmazione e di manutenzione del prodotto devono essere effettuate esclusivamente da un tecnico qualificato e competente, rispettando le leggi, le normative, i regolamenti locali e le istruzioni riportate in questo manuale.**

• Prima di iniziare l'installazione verificare se il presente prodotto è adatto ad automatizzare il vostro avvolgibile (leggere il capitolo 3).

• Tutte le operazioni di installazione e di manutenzione del prodotto devono essere effettuate con l'automatismo scollegato dall'alimentazione elettrica. Per precauzione, attaccare sul dispositivo di sconnessione un cartello con la scritta "ATTENZIONE! MANUTENZIONE IN CORSO".

• Prima di iniziare le operazioni di installazione, allontanare tutti i cavi elettrici che non sono coinvolti nel lavoro; inoltre, disattivare tutti i meccanismi non necessari al funzionamento motorizzato dell'avvolgibile.

• Se il prodotto è installato ad un'altezza inferiore a 2,5 m dal pavimento o da altra superficie di appoggio, è necessario proteggere le sue parti in movimento con una copertura, per impedire l'accesso accidentale. Per la protezione fare riferimento al manuale istruzioni dell'avvolgibile garantendo in ogni caso l'accesso per gli interventi di manutenzione.

• Nelle tende da sole, è necessario garantire una distanza orizzontale minima di 40 cm tra la tenda completamente aperta e un eventuale oggetto fisso, posizionato di fronte.

• Durante l'installazione maneggiare con cura il prodotto: evitare schiacciamenti, urti, cadute o contatti con qualsiasi liquido; non introdurre oggetti appuntiti nel motore; non forare e non applicare viti all'esterno del motore; non mettere il prodotto vicino a fonti di calore e non esporlo a fiam-

me libere (fig. 1).

Queste azioni possono danneggiare il prodotto ed essere causa di malfunzionamenti o situazioni di pericolo. In questi casi sospendere immediatamente l'installazione e rivolgersi all'installatore/produttore.

- Non smontare il prodotto oltre alle operazioni previste in questo manuale.
- Non eseguire modifiche su nessuna parte del prodotto oltre a quelle riportate in questo manuale. Operazioni non permesse possono causare solo malfunzionamenti. Il costruttore declina ogni responsabilità per danni derivanti da modifiche arbitrarie al prodotto.
- Il cavo di alimentazione del prodotto è in PVC ed è adatto esclusivamente per essere installato all'interno. Se l'installazione avviene all'esterno, coprire tutto il cavo con un tubo di protezione.
- Durante la realizzazione dell'impianto, mantenere le persone lontane dall'avvolgibile quando questo è in movimento.
- Per comandare il prodotto utilizzare esclusivamente pulsanti che funzionano a "uomo presente", cioè che occorre mantenerli premuti per l'intera durata della manovra.
- Il materiale dell'imballo del prodotto deve essere smaltito nel pieno rispetto della normativa locale.

#### 1.3 • Avvertenze per l'uso

- Non permettere ai bambini di giocare con i dispositivi di comando fissi.
- Fare attenzione all'avvolgibile quando questo è in movimento e mantenersi lontano da esso fino al completamento della manovra in atto.
- Quando si eseguono lavori di pulizia dei vetri nei pressi dell'automazione, non azionare i dispositivi di comando; se questi sono di tipo automatico, scollegare anche l'alimentazione elettrica.
- Sottoporre l'automazione ad esame frequente per verificare se ci sono sbilanciamenti o segni di usura o danni ai cavi e alle molle (se questi sono presenti). Non utilizzare l'automazione se questa necessita di regolazioni o riparazione; rivolgersi esclusivamente a personale tecnico specializzato per la soluzione di questi problemi.

### DESCRIZIONE DEL PRODOTTO E DESTINAZIONE D'USO

Il prodotto è un motore tubolare destinato all'automatizzazione di una tapparella, di una tenda da sole oppure di uno schermo solare. **Qualsiasi altro uso è vietato! Il produttore non risponde dei danni risultanti da un uso improprio del prodotto, rispetto a quanto descritto in questo manuale.**

Il prodotto ha le seguenti caratteristiche:

- è alimentato dalla rete elettrica (vedere compatibilità sull'etichetta presente sul motore);
- è in grado di muovere l'avvolgibile in Salita e in Discesa tramite dei pulsanti a parete (dispositivi non presenti nella confezione).
- è dotato di un sistema elettro-meccanico che interrompe automaticamente l'alimentazione quando l'avvolgibile

raggiunge le posizioni di finecorsa impostate (fig. 3): posizione "0" (avvolgibile totalmente arrotolato) e posizione "1" (avvolgibile totalmente srotolato);

- l'intero motore tubolare si installa all'interno del rullo avvolgitore e la faccia esterna del presente prodotto può essere fissata direttamente al fianco del cassonetto oppure utilizzando apposite staffe di supporto (non presenti nella confezione);
- è progettato per l'uso residenziale e, dunque, discontinuo. Garantisce comunque un tempo di lavoro continuo di massimo 4 minuti;
- è dotato di un protettore termico che, in caso di surriscaldamento dovuto a un utilizzo dell'automazione oltre i limiti previsti, interrompe automaticamente l'alimentazione elettrica e la ripristina appena la temperatura si normalizza.

## 3 INSTALLAZIONE DEL PRODOTTO

### 3.1 • Verifiche preliminari - limiti d'impiego

**Attenzione! - Prima di procedere all'installazione, verificare i seguenti aspetti.**

- Il presente prodotto è disponibile in varie versioni, ciascuna con una determinata coppia motore. Ognuna di queste è progettata per automatizzare avvolgibili con determinate caratteristiche di dimensioni e peso. Quindi, prima di procedere all'installazione, verificare se le caratteristiche del presente motore (coppia motore, velocità di rotazione e tempo di funzionamento) sono adatte ad automatizzare il vostro avvolgibile. **Attenzione! - Non installare un motore con capacità di coppia motore maggiore di quella necessaria a muovere il vostro avvolgibile.**

Verificare il diametro del rullo avvolgitore. Questo deve essere scelto in base alla coppia del motore, nel modo seguente:

- per i motori con  $\varnothing$  45 mm e coppia fino a 30 Nm (compresa), il diametro interno minimo del rullo avvolgitore deve essere di 52 mm;
- per i motori con  $\varnothing$  45 mm e coppia maggiore di 30 Nm, il diametro interno minimo del rullo avvolgitore deve essere di 60 mm.
- per i motori con  $\varnothing$  58 mm il diametro interno minimo del rullo avvolgitore deve essere di 70 mm.

### 3.2 • Installazione del motore tubolare

Per installare il prodotto seguire le fasi illustrate in fig. 5 e considerare le seguenti avvertenze:

- L'installazione non corretta può causare gravi ferite.

## 4 COLLEGAMENTI ELETTRICI

### 4.1 • Installazione dei dispositivi di protezione all'interno della rete di alimentazione elettrica

In conformità alle regole di installazione elettrica, nella rete che alimenta il motore è necessario prevedere un dispositivo di protezione contro il corto circuito e un dispositivo di sconnessione dalla rete elettrica.

**Attenzione! - Il dispositivo di sconnessione deve consentire la disconnessione completa dell'alimentazione, nelle condizioni stabilite dalla categoria di sovratensione III.**

Il dispositivo di sconnessione deve essere collocato in vista dell'automazione e, se non è visibile, deve prevedere un sistema che blocca un'eventuale riconnessione accidentale o non autorizzata dell'alimentazione, al fine di scongiurare qualsiasi pericolo.

**Nota** - I due dispositivi non sono presenti nella confezione.

### 4.2 • Installazione di una pulsantiera a parete

**Avvertenze:**

- Posizionare la pulsantiera in vista dell'avvolgibile ma lontano dalle sue parti in movimento.
- Posizionare la pulsantiera sul lato dell'avvolgibile dove sono presenti il cavo elettrico proveniente dal motore tubolare e il cavo di alimentazione proveniente dalla rete elettrica.
- Posizionare i pulsanti ad un'altezza superiore a 1,5 m dal pavimento.

### 4.3 • Collegamento del motore a una pulsantiera di comando e alla rete elettrica

**Attenzione!**

- Un collegamento errato può provocare guasti o situazioni di pericolo; quindi, rispettare scrupolosamente le istruzioni di questo paragrafo.

Dal punto di vista elettrico il motore deve essere alimentato in modo permanente, attraverso un collegamento permanente alla rete di distribuzione elettrica (vedere compatibilità sull'etichetta presente sul motore). Per collegare il motore a una pulsantiera di comando e alla rete elettrica fare riferimento alla fig. 4. I conduttori del cavo di collegamento hanno il seguente impiego:

- **Colore Marrone** = Fase elettrica di salita o discesa.
- **Colore Nero** = Fase elettrica di salita o discesa.
- **Colore Blu** = Comune (di solito collegato al Neutro).
- **Colore Giallo-verde** = Terra (collegamento equipotenziale di protezione).

## 4.4 • Abbinamento dei movimenti di Salita e Discesa ai rispettivi pulsanti

Al termine dei collegamenti, alimentare il motore e verificare se i movimenti di Salita e Discesa sono correttamente abbinati ai rispettivi pulsanti di comando. Se non è così, invertire il collegamento tra i conduttori **Marrone** e **Nero**.

# 5

## REGOLAZIONE DEI FINECORSA

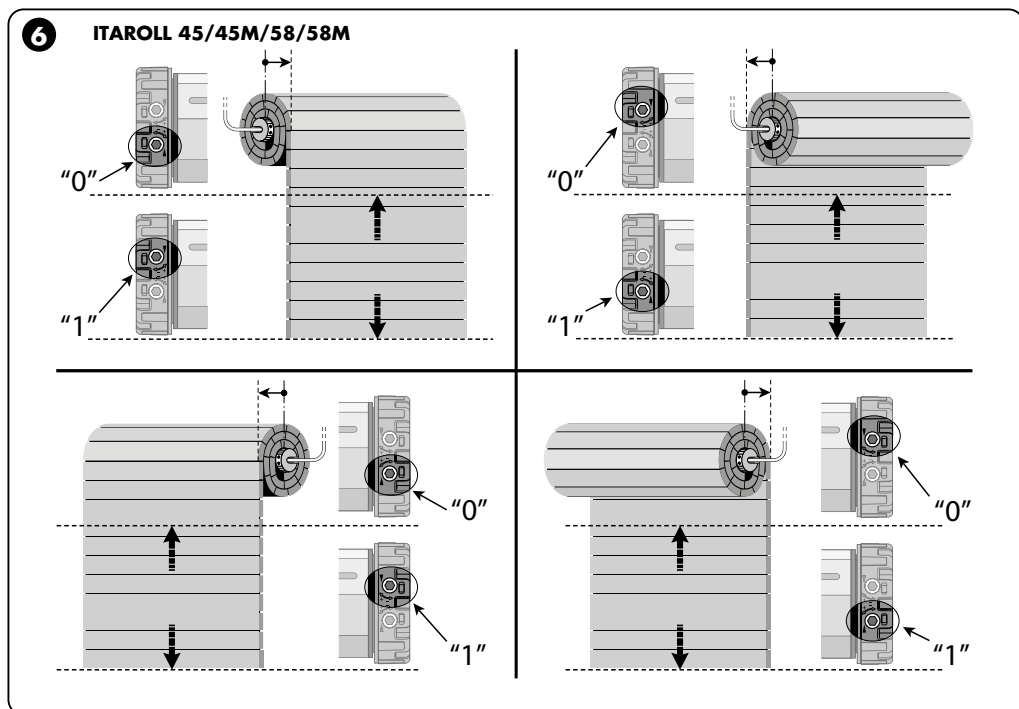
### 5.1 • I finecorsa in chiusura e in apertura

Durante il movimento di salita e discesa il motore ferma automaticamente l'avvolgibile quando questo raggiunge le posizioni di finecorsa (**fig. 3**): posizione "0" (avvolgibile totalmente arrotolato) e posizione "1" (avvolgibile totalmente srotolato). Di fabbrica queste posizioni sono fissate in modo approssimativo e, per adeguarle alle dimensioni specifiche del vostro avvolgibile, utilizzare la procedura descritta di seguito.

### 5.2 • Come regolare prima il finecorsa "0" e poi il

## finecorsa "1"

- Portare l'avvolgibile in posizione "1".  
**Abbinare le viti di regolazione ai rispettivi finecorsa:**
- Mettersi di fronte all'avvolgibile e osservare:
  - a quale estremità del rullo si trovano le viti di regolazione dei finecorsa: a destra o a sinistra?
  - se la parte srotolata dell'avvolgibile si trova davanti o dietro il rullo.
- Quindi osservare la **fig. 6** e individuare tra gli schemi riportati quello che corrisponde alla situazione a) e b) osservata nella vostra installazione. **Molto importante - Lo schema individuato assegna ad ogni vite di regolazione un determinato finecorsa da regolare.**  
**Regolare il finecorsa "0":**
- Comandare l'avvolgibile in modo che questo si muova verso la posizione "0" e attendere che il motore si fermi per l'intervento del finecorsa pre-regolato in fabbrica.  
**Attenzione!** - Se l'avvolgibile supera il punto in cui si desidera fissare il finecorsa "0", fermare il movimento; quindi, comandare l'avvolgibile per farlo ritornare nella posizione di partenza; ruotare di qualche giro, in direzione del segno "-", la vite di regolazione relativa al finecorsa "0" e, infine, ripetere la procedura dal punto 04.
- Ruotare poco per volta, in direzione del segno "+", la vite di regolazione relativa al finecorsa "0", fino ad ottenere la posizione di arresto "0" desiderata. **Nota** - ad



ogni giro di vite il motore avanza, fermandosi nella nuova posizione.

### Regolare il finecorsa "1":

**06.** Ruotare di qualche giro, in direzione del segno "-", la vite di regolazione relativa al finecorsa "1".

**07.** Comandare l'avvolgibile in modo che questo si muova verso la posizione "1" e attendere che il motore si fermi per l'intervento del finecorsa pre-regolato in fabbrica.

**Attenzione!** - Se l'avvolgibile supera il punto in cui si desidera fissare il finecorsa "1", fermare il movimento; quindi, comandare l'avvolgibile per farlo ritornare nella posizione di partenza; ruotare di qualche giro, in direzione del segno "-", la vite di regolazione relativa al finecorsa "1" e, infine, ripetere la procedura dal punto 07.

**08.** Ruotare poco per volta, in direzione del segno "+", la vite di regolazione relativa al finecorsa "1", fino ad ottenere la posizione di arresto "1" desiderata. **Nota** - ad ogni giro di vite il motore avanza, fermandosi nella nuova posizione.

## 6 SMALTIMENTO DEL PRODOTTO

**Questo prodotto è parte integrante dell'automazione, e dunque, deve essere smaltito insieme con essa.**

Come per le operazioni d'installazione, anche al termine della vita di questo prodotto, le operazioni di smantellamento devono essere eseguite da personale qualificato.

Questo prodotto è costituito da vari tipi di materiali: alcuni possono essere riciclati, altri devono essere smaltiti. Informatevi sui sistemi di riciclaggio o smaltimento previsti dai regolamenti vigenti sul vostro territorio, per questa categoria di prodotto.

**Attenzione!** - alcune parti del prodotto possono contenere sostanze inquinanti o pericolose che, se disperse nell'ambiente, potrebbero provocare effetti dannosi sull'ambiente stesso e sulla salute umana.

Come indicato dal simbolo a lato, è vietato gettare questo prodotto nei rifiuti domestici. Eseguire quindi la "raccolta separata" per lo smaltimento, secondo i metodi previsti dai regolamenti vigenti sul vostro territorio, oppure riconsegnare il prodotto al venditore nel momento dell'acquisto di un nuovo prodotto equivalente.



**Attenzione!** - i regolamenti vigenti a livello locale possono prevedere pesanti sanzioni in caso di smaltimento abusivo di questo prodotto.

## 7

### COSA FARE SE... (guida alla soluzione dei problemi)

**Il motore non si muove nonostante sia alimentata una fase di Salita o Discesa:**

- 1) verificare se è in atto la protezione termica: in questo caso basta aspettare che il motore si raffreddi;
- 2) verificare se c'è tensione di rete e se questa corrisponde ai valori riportati nei dati di targa del motore;
- 3) verificare se i due finecorsa, a causa di un'errata regolazione, si attivano contemporaneamente; in questo caso ruotare le due viti di regolazione di alcuni giri, in direzione del segno "+".

Se dopo questi controlli il motore non si muove, rivolgersi ad un tecnico qualificato, oppure contattare l'installatore/produttore.

## 8

### CARATTERISTICHE TECNICHE

• **Tensione di alimentazione e frequenza; corrente e potenza; coppia e velocità:** Vedere dati tecnici sull'etichetta di ogni modello. • **Diametro del motore:** ITAROLL  $\varnothing 45$  mm;  $\varnothing 58$  mm. • **Tempo nominale di funzionamento:** Massimo 4 minuti. • **Grado di protezione:** IP 44 (motore tubolare). • **Temperatura di funzionamento:**  $-20^{\circ}\text{C}$  (minimo). • **Lunghezza cavo di connessione:** 2,5 m.

#### Note:

- Tutte le caratteristiche tecniche riportate sono riferite ad una temperatura ambientale di  $20^{\circ}\text{C}$  ( $\pm 5^{\circ}\text{C}$ ).
- Il produttore si riserva il diritto di apportare modifiche al prodotto in qualsiasi momento lo riterrà necessario, mantenendone le stesse funzionalità e destinazione d'uso.

## 9

### Costruttore e codici prodotto

**Nome Produttore:**  
**Indirizzo:**

ACM INTERNATIONAL SRL  
Via Oros n°2/g  
00071 Pomezia (RM) Italy

**Tipo di prodotto:**

Motore tubolare per avvolgibili e tende da sole

**Modello/Tipo:**

ITAROLL  $\varnothing 45$   
10 / 18/30/40/50  
ITAROLL  $\varnothing 45$  M  
18M/30M/50M  
ITAROLL  $\varnothing 58$   
80/100/120  
ITAROLL  $\varnothing 58$ M  
80M/100M/120M

## 1 AVERTISSEMENTS ET PRECAUTIONS POUR LA SÉCURITÉ

### 1.1 • Recommandations pour la sécurité

- **ATTENTION ! – Pour la sécurité des personnes, il est important de respecter ces instructions.** Une mauvaise installation peut provoquer des blessures graves aux personnes. Par conséquent, avant de commencer le travail, lire attentivement toutes les parties du manuel et en cas de doutes, demander des précisions à l'installateur ou au producteur.
- **ATTENTION ! – Instructions importantes pour la sécurité; conserver ces instructions.** Conserver avec soin ce guide pour faciliter les éventuelles interventions futures de maintenance ou de mise au rebut du produit.

### 1.2 • Avertissements pour l'installation

- **Toutes les opérations d'installation, de connexion, de programmation et de maintenance du produit doivent être effectuées exclusivement par un technicien qualifié et compétent, en respectant les lois, les normes, les réglementations locales et les instructions reportées dans ce guide.**
- Avant de commencer l'installation vérifier si le présent produit est adapté à automatiser le store ou le volet roulant auquel il est destiné (lire le chapitre 3).
- Toutes les opérations d'installation ou de maintenance doivent être effectuées avec l'automatisme déconnecté de l'alimentation électrique. Par précaution, attacher au dispositif de déconnexion un panneau avec les mots «ATTENTION ! MAINTENANCE EN COURS».
- Avant de commencer les opérations d'installation, éloigner tous les câbles électriques qui ne sont pas concernés par le travail ; désactiver en outre tous les mécanismes non nécessaires au fonctionnement motorisé du store ou du volet roulant.
- Si le produit est installé à une hauteur inférieure à 2,5 m du sol (ou d'une autre surface d'appui), il faut protéger les parties en mouvement de l'automatisme par un carter pour empêcher un accès accidentel. Pour la protection se référer au guide d'instructions du store ou du volet roulant en garantissant dans tous les cas l'accès pour les interventions de maintenance.
- Pour les stores, il est important de garantir une distance horizontale de 40 cm minimum entre le store complètement ouvert et un éventuel obstacle situé devant lui.
- Durant l'installation manipuler avec soin le produit : éviter les écrasements, les chocs, les chutes ou les contacts avec n'importe quel liquide ; ne pas introduire d'objets pointus dans le moteur ; ne pas percer ni appliquer de vis à l'extérieur du moteur ; ne pas mettre le produit à proximité de sources de cha-

leur ni l'exposer à des flammes vives (fig. 1).

Ces actions peuvent endommager le produit et causer des problèmes de fonctionnement ou des situations de danger. Si cela se produit, suspendre immédiatement l'installation et s'adresser à l'installateur ou au producteur.

- Ne pas démonter le produit en dehors des opérations prévues dans ce guide.
- Ne pas effectuer de modifications sur une partie quelconque du dispositif en dehors de celles indiquées dans ce guide. Des opérations non autorisées ne peuvent que provoquer des problèmes de fonctionnement. Le constructeur décline toute responsabilité pour les dommages dérivant de modifications arbitraires au produit.
- Le câble d'alimentation du produit est en PVC et est adapté exclusivement pour être installé à l'intérieur. Si l'installation est effectuée à l'extérieur, couvrir tout le câble avec une goulotte de protection.
- Pendant la réalisation de l'installation, maintenir les personnes à distance du store ou du volet roulant quand il est en mouvement.
- Pour commander le produit, utiliser exclusivement des touches du type « commande à action maintenue », c'est-à-dire qu'il faut les maintenir enfoncées pendant toute la durée de la manœuvre.
- Les matériaux de l'emballage du produit doivent être mis au rebut dans le plein respect des normes locales en vigueur.

### 1.3 • Recommandations pour l'utilisation

- Ne pas laisser les enfants jouer avec les dispositifs de commande fixes.
- Faire attention au store ou volet roulant quand il est en mouvement et rester à distance jusqu'à la fin de la manœuvre en cours.
- Quand on effectue des travaux de nettoyage des vitres près de l'automatisme, ne pas actionner les dispositifs de commande ; si ces dispositifs sont de type automatique, déconnecter aussi l'alimentation électrique.
- Contrôler fréquemment l'automatisme pour vérifier qu'il n'y a pas de déséquilibres ni de signes d'usure ou dommages aux câbles et aux ressorts (s'ils sont présents). Ne pas utiliser l'automatisme si celui-ci a besoin de réglages ou de réparations ; s'adresser exclusivement à du personnel technique spécialisé pour la solution de ces problèmes.

## 2 DESCRIPTION DU PRODUIT ET TYPE D'UTILISATION

Le produit est un moteur tubulaire destiné à l'automatisation d'un volet roulant, d'un store intérieur ou extérieur. **Toute autre utilisation est impropre et interdite. Le producteur ne répond pas des dommages résultant d'une utilisation impropre du produit, différente de ce qui est prévu dans ce guide.**

Le produit a les caractéristiques suivantes :

- il est alimenté par le secteur (voir compatibilité sur l'étiquette appliquée sur le moteur) ;
- il est en mesure de manœuvrer le store ou le volet roulant en Montée et en Descente à l'aide de touches murales (dispositifs non présents dans l'emballage).



- il est équipé d'un système électromécanique qui interrompt automatiquement l'alimentation quand le volet roulant ou le store atteint les positions de fin de course programmées (**fig. 3**) : position « 0 » (store ou volet entièrement enroulé) et position « 1 » (store ou volet entièrement déroulé) ;
- tout le moteur tubulaire s'installe à l'intérieur du tube d'enroulement et la face externe du présent produit peut être fixée directement au côté du caisson ou en utilisant des pattes de support (non présentes dans l'emballage) ;
- il est conçu pour un usage résidentiel et donc, discontinu. Il garantit dans tous les cas un temps de travail continu de 4 minutes maximum ;
- Il est muni d'un protecteur thermique qui, en cas de surchauffe due à une utilisation de l'automatisme dépassant les limites prévues, interrompt automatiquement l'alimentation électrique et la rétablit dès que la température se normalise.

## 3 INSTALLATION DU PRODUIT

### 3.1 • Contrôles préliminaires - limites d'utilisation

**Attention ! – Avant de procéder à l'installation, vérifier les aspects suivants**

- Le présent produit est disponible en différentes versions, chacune avec un couple moteur donné. Chacune de ces versions est conçue pour automatiser des stores ou des volets roulants ayant des caractéristiques de dimensions et de poids données. Par conséquent, avant de procéder à l'installation, pour vérifier si les caractéristiques de ce moteur (couple moteur, vitesse de rotation et temps de fonctionnement) sont adaptées pour automatiser le store ou le volet roulant en question.

**Attention ! - Ne pas installer un moteur d'une capacité de couple supérieure à la capacité nécessaire pour manœuvrer le store ou le volet roulant.**

Vérifier le diamètre du tambour enrouleur. Celui-ci doit être choisi à partir du couple moteur de la façon suivante :

- pour les moteurs de taille  $\varnothing = 45$  mm et couple jusqu'à 30 Nm (compris), le diamètre interne minimum du tambour enrouleur doit être de 52 mm ;
- pour les moteurs de taille  $\varnothing = 45$  mm et couple supérieur à 30 Nm, le diamètre interne minimum du tambour enrouleur doit être de 60 mm.
- pour les moteurs de taille  $\varnothing = 58$  mm le diamètre interne minimum du tambour enrouleur doit être de 70 mm.

### 3.2 • Installation du moteur tubulaire

Pour installer le produit suivre les phases illustrées **fig. 5** et respecter les **recommandations** qui suivent :

- Une installation incorrecte peut causer de graves blessures.

## 4 BRANCHEMENTS ELECTRIQUES

### 4.1 • Installation des dispositifs de protection sur la ligne d'alimentation électrique

Conformément aux règles d'installation électrique, il faut prévoir dans le réseau électrique alimentant le moteur un dispositif de protection contre le court-circuit et un dispositif de déconnexion du réseau électrique.

**Attention ! – Le dispositif de déconnexion doit permettre la déconnexion complète de l'alimentation, dans les conditions établies par la catégorie de surtension III.**

Il faut positionner le dispositif de déconnexion près de l'automatisation et, s'il n'est pas visible, il doit prévoir un système de blocage de l'éventuelle reconnexion accidentelle ou non autorisée de l'alimentation pour éviter tout type de danger.

**Note** – Les deux dispositifs ne sont pas inclus dans l'emballage.

### 4.2 • Installation d'un boîtier au mur

**Mises en garde :**

- Positionner le boîtier près de l'enrouleur mais loin de ses parties en mouvement.
- Positionner le boîtier sur le côté de l'enrouleur où se trouvent le câble électrique provenant du moteur tubulaire et le câble d'alimentation provenant du réseau électrique.
- Positionner les boutons à une hauteur supérieure à 1,5 m du sol.

### 4.3 • Branchement du moteur à un clavier de commande et au secteur

**Attention !**

- Une mauvaise connexion peut provoquer des pannes ou des situations de danger, veuillez respecter scrupuleusement les instructions de ce paragraphe.

Le moteur doit être alimenté électriquement de façon permanente, par le biais d'un raccordement permanent au secteur (voir compatibilité sur l'étiquette appliquée sur le moteur). Pour connecter le moteur à un tableau de commande et au secteur, se référer à la **fig. 4**. Les conducteurs du câble de raccordement servent à :

- **Marron** = Phase électrique de montée ou descente.
- **Noir** = Phase électrique de montée ou descente.
- **Bleu** = Commun (généralement connecté au Neutre).
- **Jaune-vert** = Terre (connexion équipotentielle de protection).

## 4.4 • Association des mouvements de Montée et de Descente aux touches respectives

À la fin des connexions, alimenter le moteur et vérifier si les mouvements de Montée et de Descente sont correctement associées aux touches de commande respectives. Si ce n'est pas le cas, inverser la connexion entre les conducteurs **Marron** et **Noir**.

# 5 RÉGLAGE DES FINS DE COURSE

## 5.1 • Les fins de course en fermeture et en ouverture

Durant le mouvement de montée et de descente le moteur arrête automatiquement le store ou le volet quand celui-ci atteint les positions de fin de course (**fig. 3**) : position « 0 » (store ou volet entièrement enroulé) et position « 1 » (store ou volet entièrement déroulé). En usine, ces positions sont fixées de manière approximative et pour les adapter aux dimensions spécifiques de votre store ou volet, utiliser la procédure décrite ci-après.

## 5.2 • Comment régler d'abord le fin de course « 0 » puis le fin de course « 1 »

01. Mettre le store ou le volet dans la position « 1 ».

**Associer les vis de réglage aux fins de course respectifs :**

02. Se placer face au store ou volet et observer :

- a) à quelle extrémité du tube se trouvent les vis de réglage des fins de course : à droite ou à gauche ?
- b) si la partie déroulée du tablier se trouve devant ou derrière le tube.

03. Observer ensuite la **fig. 6** et identifier parmi les schémas celui qui correspond à la situation a) et b) observée dans votre installation. **Très important – Le schéma identifié attribue à chaque vis de réglage un fin de course donné à régler.**

**Régler le fin de course « 0 » :**

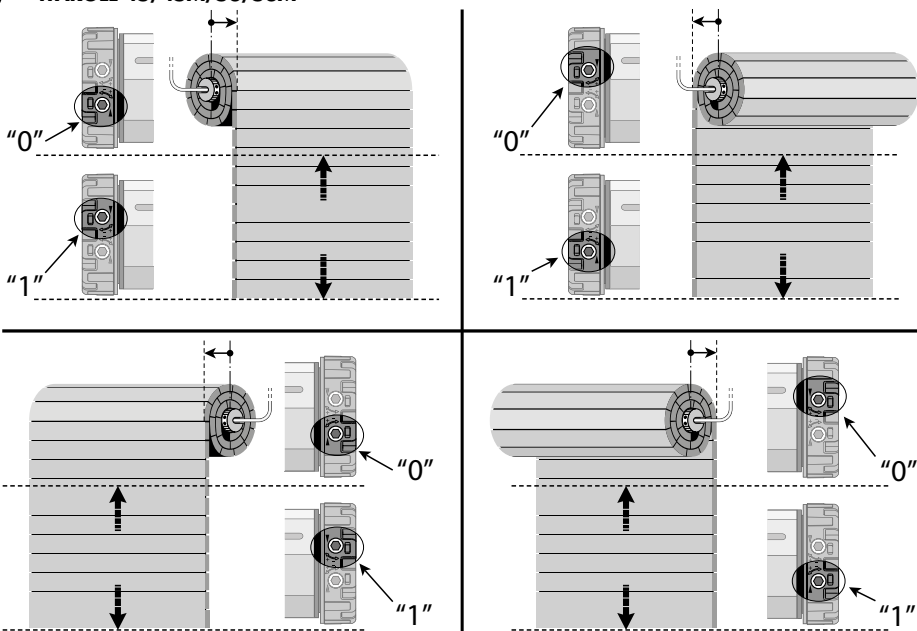
04. Commander le volet ou le store de manière qu'il se déplace vers la position « 0 » et attendre que le moteur s'arrête, du fait de l'intervention du fin de course tel qu'il est réglé en usine.

**Attention !** – Si le store ou le volet dépasse le point où l'on souhaite fixer le fin de course « 0 », arrêter le mouvement ; ensuite, commander le volet ou le store pour le faire revenir dans la position de départ ; tourner de quelques tours, vers le signe « - », la vis de réglage relative au fin de course « 0 » puis répéter la procédure à partir du point 04.

05. Tourner un peu à la fois, vers le signe « + », la vis de réglage relative au fin de course « 0 », jusqu'à la position d'arrêt « 0 » désirée. **Note** – à chaque tour de vis, le store avance, en s'arrêtant dans la nouvelle position.

6

ITAROLL 45/45M/58/58M



## Régler le fin de course « 1 » :

06. Tourner de quelques tours, vers le signe « - », la vis de réglage relative au fin de course « 1 ».
07. Commander le volet ou le store de manière qu'il se déplace vers la position « 1 » et attendre que le moteur s'arrête, du fait de l'intervention du fin de course tel qu'il est réglé en usine.

**Attention !** – Si le store ou le volet dépasse le point où l'on souhaite fixer le fin de course « 1 », arrêter le mouvement ; ensuite, commander le volet ou le store pour le faire revenir dans la position de départ ; tourner de quelques tours, vers le signe « - », la vis de réglage relative au fin de course « 1 » puis répéter la procédure à partir du point 07.

08. Tourner un peu à la fois, vers le signe « + », la vis de réglage relative au fin de course « 1 », jusqu'à la position d'arrêt « 1 » désirée. **Note** - à chaque tour de vis, le moteur avance, en s'arrêtant dans la nouvelle position.

## 6 MISE AU REBUT DU PRODUIT

**Ce produit est partie intégrante de l'automatisme et doit donc être mis au rebut avec ce dernier.**

Comme pour l'installation, à la fin de la durée de vie de ce produit, les opérations de démantèlement doivent être effectuées par du personnel qualifié.

Ce produit est constitué de différents types de matériaux : certains peuvent être recyclés, d'autres doivent être mis au rebut. Informez-vous sur les systèmes de recyclage ou de mise au rebut prévus par les règlements, en vigueur dans votre pays, pour cette catégorie de produit.

**Attention !** – certains composants du produit peuvent contenir des substances polluantes ou dangereuses qui pourraient avoir des effets nuisibles sur l'environnement et sur la santé des personnes s'ils étaient jetés dans la nature.

Comme l'indique le symbole ci-contre, il est interdit de jeter ce produit avec les ordures ménagères. Par conséquent, utiliser la méthode de la "collecte sélective" pour la mise au rebut des composants conformément aux prescriptions des normes en vigueur dans le pays d'utilisation ou restituer le produit au vendeur lors de l'achat d'un nouveau produit équivalent.

**Attention !** – les règlements locaux en vigueur peuvent appliquer de lourdes sanctions en cas d'élimination illicite de ce produit.

## 7 QUI FAIRE SI ... (guide pour la résolution des problèmes)

**Le moteur ne bouge pas bien qu'une phase de Montée ou de Descente soit alimentée :**

- 1) vérifier si la protection thermique est intervenue : dans ce cas, il suffit d'attendre que le moteur refroidisse ;
- 2) vérifier si la tension de secteur est présente et si elle correspond aux valeurs figurant sur la plaque du moteur ;

- 3) vérifier si les deux fins de course s'activent en même temps à cause d'une erreur de réglage ; dans ce cas tourner les deux vis de réglage de quelques tours, vers le signe « + ».

Si après avoir effectué ces contrôles, le moteur ne se déplace pas, s'adresser à un technicien qualifié ou bien contacter l'installateur ou le producteur.

## 8 CARACTÉRISTIQUES TECHNIQUES

- **Tension d'alimentation et fréquence ; Courant et puissance ; Couple et vitesse :** voir données techniques sur l'étiquette de chaque modèle.
- **Diamètre du moteur:** ITAROLL Ø45 mm ; Ø58 mm.
- **Temps nominal de fonctionnement:** maximum 4 minutes.
- **Indice de protection :** IP 44 (moteur tubulaire).
- **Température de fonctionnement :** -20°C (minimum).
- **Longueur câble de connexion :** 2,5 m.

### Notes :

- Toutes les caractéristiques techniques indiquées se réfèrent à une température ambiante de 20°C (± 5°C).
- Le fabricant se réserve le droit d'apporter des modifications aux produits à tout moment si elle le jugera nécessaire, en garantissant dans tous les cas le même bon fonctionnement et le type d'utilisation prévus.

## 9 FABRICANT ET CODES PRODUIT

**Nom du fabricant :** ACM INTERNATIONAL SRL.  
**Adresse :** Via Oros n°2/g  
00071 Pomezia (RM) Italy

**Type de produit :** Moteur tubulaire pour volets roulants et stores

**Modèle/Type :**  
ITAROLL Ø45  
**10 /18/30/40/50**  
ITAROLL Ø 45 M  
**18M/30M/50M**  
ITAROLL Ø 58  
**80/100/120**  
ITAROLL Ø 58M  
**80M/100M/120M**

## 1

### ADVERTENCIAS Y PRECAUCIONES DE SEGURIDAD

#### 1.1 • Advertencias de seguridad

- **¡ATENCIÓN!** – Es importante respetar estas instrucciones para garantizar la seguridad de las personas. Una instalación errónea puede causar lesiones graves a las personas. Por tanto, antes de empezar a trabajar, es preciso leer detenidamente todos los apartados del manual y, en caso de dudas, pedir aclaraciones al instalador o al fabricante.
- **¡ATENCIÓN!** – Instrucciones importantes para la seguridad; conserve estas instrucciones. Guarde este manual para cuando deba llevar a cabo los trabajos de mantenimiento o cuando deba eliminar el producto.

#### 1.2 • Advertencias para la instalación

- **Todas las operaciones de instalación, conexión, programación y mantenimiento del producto deben ser llevadas a cabo exclusivamente por un técnico cualificado y competente, respetando las leyes, normativas y reglas locales y las instrucciones dadas en este manual.**

- Antes de comenzar la instalación, controle si el producto es adecuado para automatizar la persiana o el toldo (lea el capítulo 3).
- Todas las operaciones de instalación y mantenimiento del producto deben ser llevadas a cabo con el automatismo desconectado de la alimentación eléctrica. Por motivos de precaución, cuelgue del dispositivo de desconexión un cartel que indique "¡ATENCIÓN! MANTENIMIENTO EJECUTÁNDOSE".
- Antes de comenzar los trabajos de instalación, aleje todos los cables eléctricos innecesarios; desactive todos los mecanismos superfluos para el funcionamiento motorizado de la persiana o del toldo.
- Si el producto se instalara a menos de 2,50 m de altura del suelo, o de otra superficie de apoyo, es necesario proteger con una cubierta las piezas móviles para que no puedan ser tocadas accidentalmente. Para la protección, consulte el manual de instrucciones de la persiana/toldo, garantizando siempre el acceso para los trabajos de mantenimiento.
- En los toldos es necesario garantizar una distancia horizontal mínima de 40 cm entre el toldo completamente abierto y un objeto fijo colocado delante.
- Durante la instalación manipule con cuidado el producto: trate de evitar aplastamientos, golpes, caídas o contactos con cualquier líquido; no introduzca objetos puntiagudos en el motor; no perforo ni aplique tornillos en la parte exterior del motor; no coloque el producto cerca de fuentes de calor y no lo exponga al fuego (**fig. 1**).

El producto podría sufrir algún daño a causa de estas acciones que, además, podrían generar situaciones peligrosas o un

funcionamiento inadecuado. En una situación de este tipo, interrumpa la instalación de inmediato y remítase al instalador o al fabricante.

- Desmonte el producto únicamente como indicado en este manual.
- No realice modificaciones en ninguna pieza del producto, salvo aquellas indicadas en este manual. Las operaciones no permitidas pueden provocar desperfectos de funcionamiento. El fabricante no se asumirá ninguna responsabilidad por daños originados por modificaciones arbitrarias hechas al producto.
- El cable de alimentación del producto es de PVC y sirve sólo para ser instalado en interiores. Si la instalación se realizara en exteriores, cubra todo el cable con un tubo de protección.
- Durante la instalación, mantenga las personas lejos de la persiana o del toldo cuando estén en movimiento.
- Para accionar el producto utilice únicamente los botones que funcionan con el sistema de "hombre presente", es decir aquellos que hay que mantener pulsados durante todo el movimiento.
- El material de embalaje del producto debe eliminarse respetando la normativa local.

#### 1.3 • Advertencias para el uso

- No permita que los niños jueguen con los dispositivos de mando fijos.
- Tenga cuidado con el elemento enrollable mientras se mueve y manténgase alejado hasta que concluya su movimiento.
- Cuando limpie los vidrios cerca del automatismo, no accione los dispositivos de mando; si dichos dispositivos son automáticos, desconecte la alimentación eléctrica.
- Examine a menudo el automatismo para comprobar si está desequilibrado o desgastado o si los cables y los muelles están dañados (en su caso). No utilice el automatismo si necesitara ser regulado o reparado; contacte exclusivamente con personal especializado para solucionar estos problemas.

## 2

### DESCRIPCIÓN DEL PRODUCTO Y USO PREVISTO

El producto es un motor tubular destinado a la automatización de una persiana, un toldo o un screen solar. **¡Cualquier otro uso está prohibido! El fabricante no responde de los daños que pudieran surgir por un uso inadecuado del producto y diferente de aquel previsto en este manual.**

Las características del producto son las siguientes:

- se alimenta por red eléctrica (ver la compatibilidad en la etiqueta aplicada al motor);
- los movimientos de Subida y Bajada de la persiana/toldo se activan con botones de pared (dispositivos no incluidos en el paquete);
- incorpora un sistema electromecánico que interrumpe automáticamente la alimentación cuando el elemento enrollable alcanza las posiciones de fin de carrera configuradas (**fig. 3**): posición "0" (elemento totalmente enrollado) y posición "1" (elemento totalmente desenrollado);
- el motor tubular se instala completamente en el interior del tubo de enrollamiento y la cara exterior del producto puede fijarse directamente al costado del cofre, o bien utilizando estribos de soporte específicos (no incluidos en el paquete);

- el producto ha sido diseñado para uso residencial y, por lo tanto, para un uso discontinuo. De todas maneras, garantiza un tiempo de funcionamiento continuo de 4 minutos como máximo;
- incorpora un protector térmico que, en caso de sobrecalentamiento debido a un uso superior a los límites previstos, interrumpe automáticamente la alimentación eléctrica y la restablece ni bien la temperatura se normaliza.

## 3 INSTALACION DEL PRODUCTO

### 3.1 • Controles preliminares – límites de empleo

**¡Atención! – Antes de comenzar la instalación, controle los siguientes aspectos.**

- Este producto está disponible en varias versiones, cada una de ellas con un determinado par del motor. Cada una de las versiones ha sido diseñada para automatizar elementos enrollables con determinadas características de dimensiones y peso. Por consiguiente, antes de proceder con la instalación, comprobar que las características de dicho motor (par, velocidad de rotación y tiempo de funcionamiento) sean adecuadas para automatizar su elemento enrollable. **¡Atención! - No instale un motor con una capacidad de par superior a aquella necesaria para mover el elemento enrollable.**

Compruebe el diámetro del cilindro de enrollamiento, ya que este debe elegirse en función del par motor. Para ello, es necesario tener en cuenta lo siguiente:

- Para los motores de talla  $\varnothing = 45$  mm y con par motor de hasta 30 Nm (inclusive), el diámetro interior mínimo del cilindro de enrollamiento debe ser de 52 mm.
- Para los motores con talla  $\varnothing = 45$  mm y con par motor superior a 30 Nm, el diámetro interior mínimo del cilindro de enrollamiento debe ser de 60 mm.
- Para los motores con talla  $\varnothing = 58$  mm el diámetro interior mínimo del cilindro de enrollamiento debe ser de 70 mm.

### 3.2 • Instalación del motor tubular

Para instalar el producto, siga las etapas que se muestran en la **fig. 5** y tenga en cuenta las siguientes **advertencias**:

- La instalación incorrecta puede provocar heridas graves.

## 4 CONEXIONES ELÉCTRICAS

### 4.1 • Instalación de los dispositivos de protección en la red de alimentación eléctrica

En conformidad con las reglas de instalación eléctrica, es preciso que la red que alimenta el motor cuente con un dispositivo de protección contra cortocircuitos y con un dispositivo de desconexión

de la red eléctrica.

**¡Atención! – El dispositivo de desconexión debe permitir la desconexión completa de la alimentación, en las condiciones establecidas en la categoría de sobretensión III.**

El dispositivo de desconexión debe estar puesto en un lugar visible del sistema de automatización y, de no ser así, debe llevar un sistema que permita bloquear cualquier reconexión accidental o no autorizada de la alimentación, para evitar riesgos.

**Nota** – Estos dos dispositivos no se encuentran en el embalaje.

### 4.2 • Instalación de una botonera de pared

**Advertencias:**

- Sitúe la botonera de manera que se vea en la persiana enrollable pero lejos de sus partes en movimiento.
- Sitúe la botonera en el lado de la persiana enrollable donde se encuentran el cable eléctrico del motor tubular y el cable de alimentación que proviene de la red eléctrica.
- Sitúe los pulsadores a una altura de más de 1,5 m desde el suelo.

### 4.3 • Conexión del motor a una botonera de mando y a la red eléctrica

**¡Atención!**

- Una conexión incorrecta puede provocar averías o situaciones de peligro; por tanto, respete rigurosamente las instrucciones recogidas en esta sección.

El motor se debe alimentar eléctricamente de manera permanente, a través de una conexión permanente a la red de distribución eléctrica (ver la compatibilidad en la etiqueta aplicada al motor). Para conectar el motor a una botonera de mando y a la red eléctrica consultar la **fig. 4**. Los conductores del cable de conexión tienen las siguientes funciones:

- **Color Marrón** = Fase eléctrica de subida o bajada.
- **Color Negro** = Fase eléctrica de subida o bajada.
- **Color Azul** = Común (generalmente conectado al Neutro).
- **Color Amarillo-Verde** = Tierra (conexión equipotencial de protección).

### 4.4 • Combinación de los movimientos de Subida y Bajada con los botones respectivos

Al concluir las conexiones, alimente el motor y controle si los movimientos de Subida y Bajada están combinados correctamente con los botones de mando respectivos. Si así no fuera, invierta la conexión entre los conductores **Marrón** y **Negro**.

# 5

## REGULACIÓN DE LOS FINES DE CARRERA

### 5.1 • Los fines de carrera para apertura y cierre

Durante el movimiento de subida y bajada el motor detiene automáticamente el elemento enrollable cuando éste alcanza las posiciones de fin de carrera (**fig. 3**): posición "0" (elemento totalmente enrollado) y posición "1" (elemento totalmente desenrollado). Estas posiciones se configuran en fábrica de forma aproximativa y, para adecuarlas a las dimensiones específicas de su elemento enrollable, hay que utilizar el procedimiento descrito a continuación.

### 5.2 • Cómo regular primero el fin de carrera "0" y después el fin de carrera "1"

01. Coloque el elemento enrollable en posición "1".

**Acople los tornillos de regulación con los fines de carrera correspondientes:**

02. Colóquese frente al elemento enrollable y observe:

- ¿En qué extremo del tubo se hallan los tornillos de regulación del fin de carrera: a la derecha o a la izquierda?
- si la parte desenrollada del elemento se encuentra adelante o detrás del tubo.

03. Entonces, observe el **fig. 6** y localice entre los esquemas indicados aquel que corresponda a la situación a) y b) observada en su instalación. **Muy importante - El esquema asigna a cada tornillo de regulación un fin de carrera determinado que éste ha de regular.**

#### Regulación del fin de carrera "0":

04. Accione el elemento enrollable de manera que se mueva hacia la posición "0" y espere a que el motor se detenga a causa del accionamiento del fin de carrera prerregulado en fábrica.

**¡Atención!** - Si el elemento enrollable supera el punto en que se desea configurar el fin de carrera "0", detenga el movimiento; entonces, accione el elemento enrollable para hacerlo volver a la posición inicial; gire algunas vueltas, en dirección al signo "-", el tornillo de regulación correspondiente al fin de carrera "0" y, por último, repita el procedimiento desde el punto 04.

05. Gire un poco cada vez, en dirección al signo "+", el tornillo de regulación correspondiente al fin de carrera "0", hasta obtener la posición de parada "0" deseada. **Nota** - con cada vuelta de tornillo el motor avanza, deteniéndose en la nueva posición.

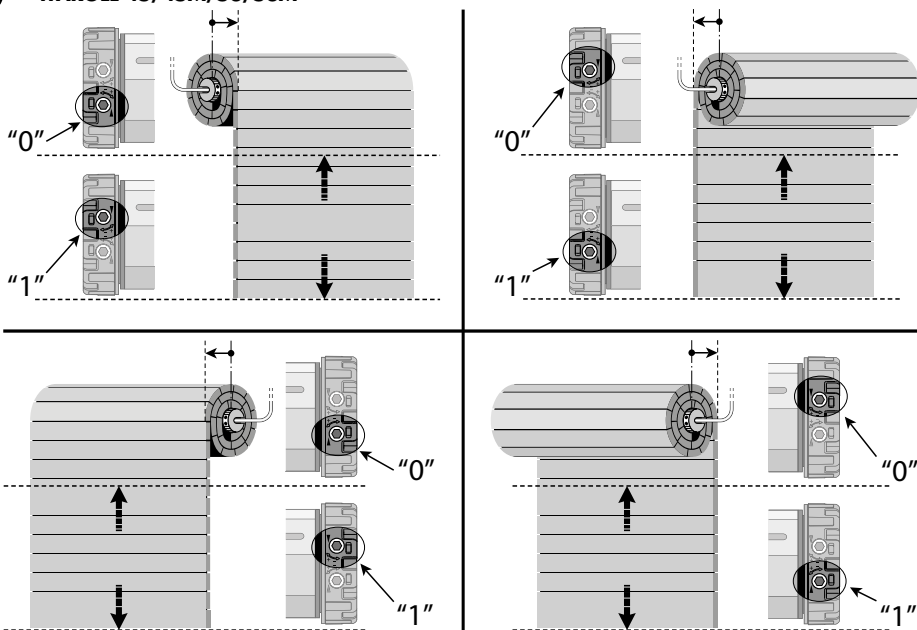
#### Regulación del fin de carrera "1":

06. Gire algunas vueltas, en dirección del signo "-", el tornillo de regulación correspondiente al fin de carrera "1".

07. Accione el elemento enrollable de manera que se mueva hacia la posición "1" y espere a que el motor se detenga a causa del accionamiento del fin de carrera prerregulado en

6

ITAROLL 45/45M/58/58M



ES

fábrica.

**¡Atención!** – Si el elemento enrollable supera el punto en que se desea configurar el fin de carrera "1", detenga el movimiento; entonces, accione el elemento enrollable para hacerlo volver a la posición inicial; gire algunas vueltas, en dirección al signo "–", el tornillo de regulación correspondiente al fin de carrera "1" y, por último, repita el procedimiento desde el punto 07.

08. Gire un poco cada vez, en dirección al signo "+", el tornillo de regulación correspondiente al fin de carrera "1", hasta obtener la posición de parada "1" deseada. **Nota** - con cada vuelta de tornillo el motor avanza, deteniéndose en la nueva posición.

## 6 ELIMINACIÓN DEL PRODUCTO

**Este producto forma parte integrante del automatismo y, por consiguiente, deberá ser eliminado junto con éste.**

Al igual que para las operaciones de instalación, también al final de la vida útil de este producto las operaciones de desguace deberán ser llevadas a cabo por personal experto.

Este producto está formado de varios tipos de materiales: algunos podrán ser reciclados y otros deberán ser eliminados. Infórmese sobre los sistemas de reciclaje o de eliminación previstos por las normativas vigentes locales para esta categoría de producto.

**¡Atención!** – algunas piezas del producto pueden contener sustancias contaminantes o peligrosas que, si se las abandonara en el medio ambiente, podrían provocar efectos perjudiciales para el mismo medio ambiente y para la salud humana.

Tal como indicado por el símbolo de aquí al lado, está prohibido arrojar este producto en los residuos urbanos. Realice la "recogida selectiva" para la eliminación, según los métodos previstos por las normativas vigentes locales, o bien entregue el producto al vendedor cuando compre un nuevo producto equivalente.

**¡Atención!** – las normas locales vigentes pueden prever sanciones importantes en el caso de eliminación abusiva de este producto.

## 7 QUÉ HACER SI... (guía para solucionar los problemas)

**El motor no se mueve a pesar de que esté alimentada una fase de Subida o Bajada:**

- 1) podría haberse desconectado la protección térmica; en dicho caso hay que esperar a que el motor se enfríe.
- 2) controle que haya tensión de red y si ésta corresponde a los valores indicados en la placa de características del motor;

- 3) controle si los dos fines de carrera se activan contemporáneamente debido a una regulación incorrecta; en este caso, gire los dos tornillos de regulación algunas vueltas hacia la dirección del signo "+".

Si después de estos controles el motor no se activa, acudir a un técnico cualificado, o contactar con el instalador o el fabricante.

## 8 CARACTERÍSTICAS TÉCNICAS

• **Tensión de alimentación y frecuencia; corriente y potencia; par y velocidad:** Véanse los datos técnicos en la etiqueta de cada modelo. • **Diámetro del motor:** ITAROLL Ø45 mm; ø58 mm. • **Tiempo nominal de funcionamiento:** máximo 4 minutos. • **Grado de protección:** IP 44 (motor tubular). • **Temperatura de funcionamiento:** -20°C (mínimo). • **Longitud del cable de conexión:** 2,5 m.

### Notas:

- Todas las características técnicas indicadas se refieren a una temperatura ambiental de 20°C (± 5°C).
- El fabricante se reserva el derecho de modificar el producto cuando lo considere necesario, manteniendo las mismas funciones y el mismo uso previsto.

## 9 FABRICANTE Y CÓDIGOS DE PRODUCTO

**Nombre del fabricante:** ACM INTERNATIONAL SRL  
**Dirección:** Via Oros n° 2 g  
00071 Pomezia (RM) Italy

**Tipo de producto:** Motor tubular para cortinas enrollables y toldos

**Modelo/Tipo:**  
ITAROLL Ø45  
10 / 18/30/40/50  
ITAROLL Ø 45 M  
18M/30M/50M  
ITAROLL Ø 58  
80/100/120  
ITAROLL Ø 58M  
80M/100M/120M

ES







# ITAROLL



---

**Made in Italy**

**ACM INTERNATIONAL SRL**  
ViaOros, 2 g  
00071 Pomezia (RM) Italy  
info@acm.it